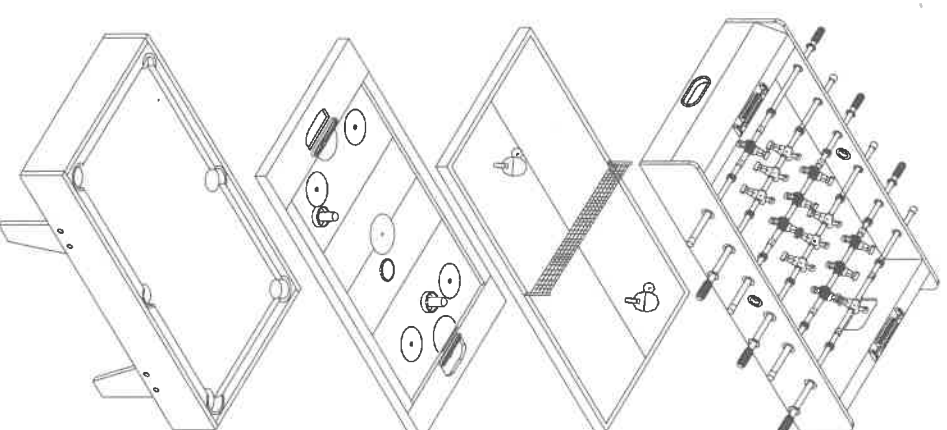

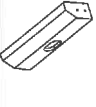

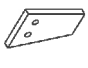
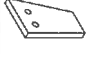




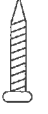
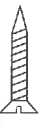



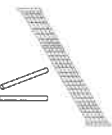






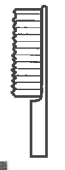




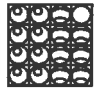






# ASSEMBLY INSTRUCTIONS

## INSTRUCCIONES DE ARMADO



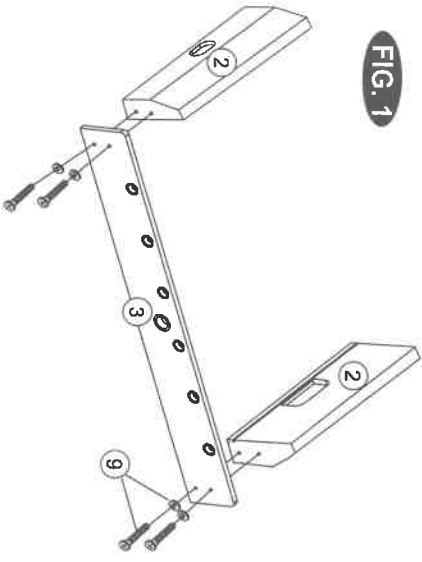
1	 Billiard Playfield x1	2	 End panel x2	3	 Side panel x2	4	 Left leg x2
5	 Right leg x2	6	 Soccer Playfield x1	7	 TII/Hockey playfield x1	8	 Dowel x8
9	 6 x 25mm Washer head screw x16	10	 3.5 x 18mm Flat Head Screw x18	11	 3.5 x 25mm Flat Head Screw x4	12	 Allen Key x1
13	 18" Cue x2	14	 Triangle x1	15	 Ner & Post x1	16	 Paddle & Ball x1
17	 Soccer Ball x2	18	 Player Rod x6	19	 Player - Red x7	20	 Player - Blue x7
21	 Bumper x12	22	 Brush x1	23	 Rod End Cap x6	24	 Handle x6
25	 Scorer x2	26	 Stop ring x4	27	 1" Billiard Ball x1	28	 Round Puck x2
29	 Pusher x2	30	 Felt Pad x2	31	 Chalk x2		

**ASSEMBLY INSTRUCTIONS:**

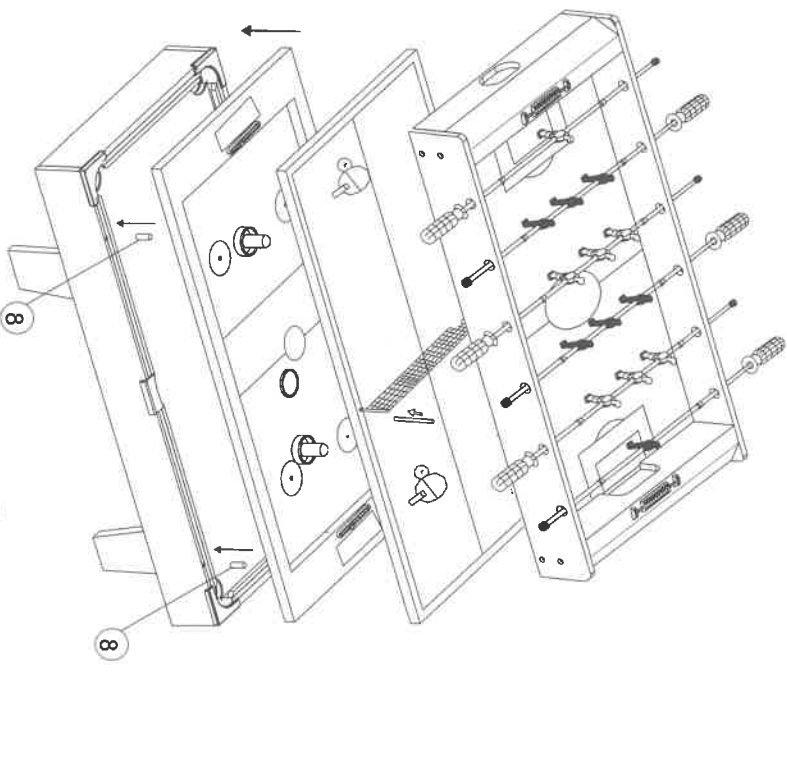
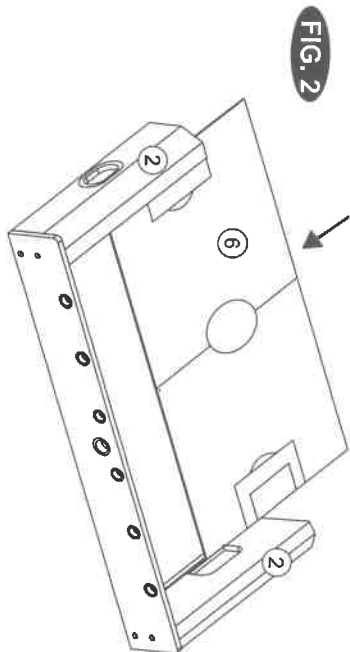
1. Find a clean, level place to begin the assembly of your Multi Game.
2. Remove all the parts from the box and verify that you have all of the listed parts as shown on the parts list page. Carefully cut or tear the four corners of the box so that the bottom of the box can be used as your work surface.

**FIG.1**

3. Attach a part 3 side panel to two part 2 end panels with four part 9 screw/washer sets.



**FIG.2**  
4. Slide the part 6 foosball playfield into the slots on the end panels.



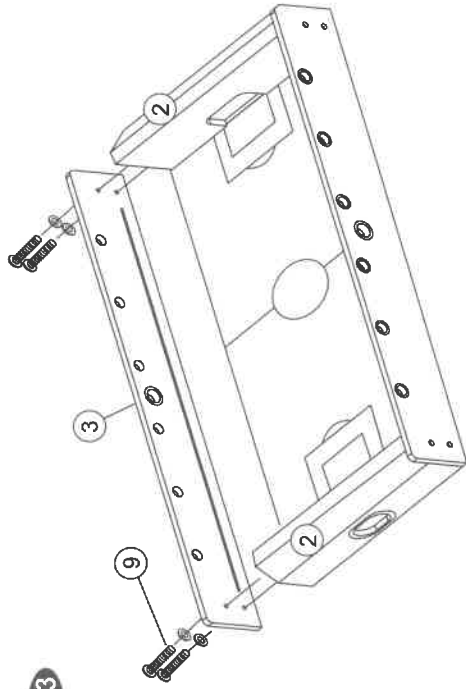
Arrange the assembly according to the game you would like to play.

Secure the foosball table or table tennis/hockey table to the billiards table with four part 8 dowels.

If playing hockey, attach the part 30 felt pads to the two part 29 pushers.

**FIG.3**

5. Attach the other part 3 side panel to the end panels with four part 9 screw/washer sets.



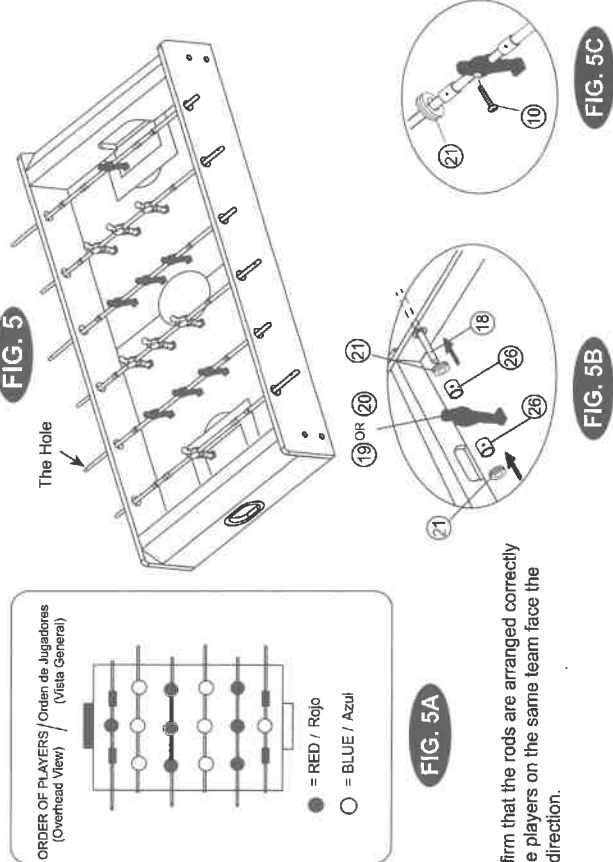
**FIG. 3**

**FIG.5**

6. Slide a part 21 bumper, part 26 stop ring, part 19 red player, another stop ring, and bumper onto a part 18 player rod and position it in the goalie slot. Repeat on the other side with a part 20 blue player (figure 5B).

7. Build the remaining player rods with a bumper, three red/blue players, and another bumper. The ends with a hole are arranged on the same side.

8. Secure the players and stop rings with eighteen part 10 screws, one per player or stop ring (figure 5C).



**FIG. 5**

**FIG. 5A**

**FIG. 5B**

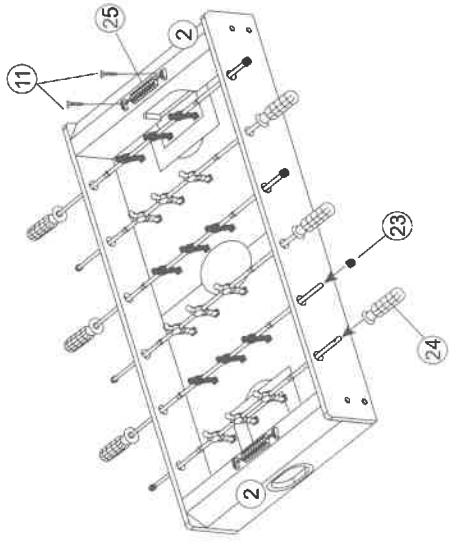
**FIG. 5C**

9. Confirm that the rods are arranged correctly and the players on the same team face the same direction.

**FIG.6**

10. Attach a part 25 scorer with two part 11 screws. Repeat on the other side.

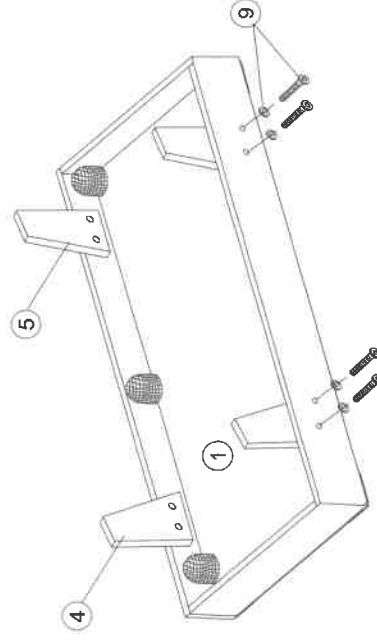
Slide six part 24 handles onto the ends of rods with a hole. Slide six part 23 end caps onto the ends of rods without a hole. Note: A drop of liquid soap will help the handles slide on more easily.



**FIG. 6**

**FIG.7**

11. Attach two part 4 left legs and two part 5 right legs to the part 1 billiards playfield with eight part 9 screw/washer sets, two sets per leg.



**FIG. 7**